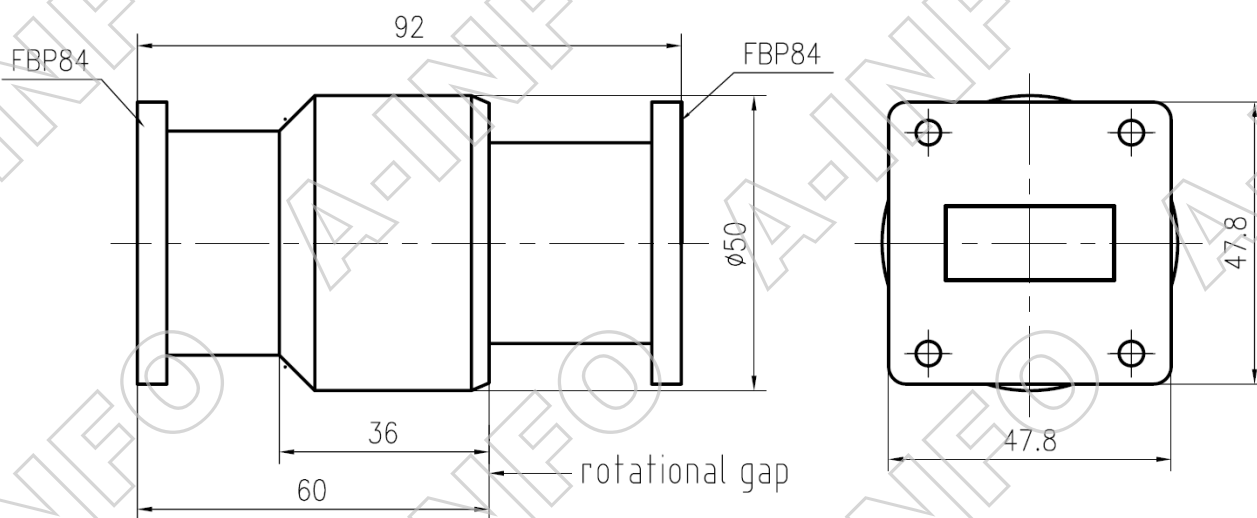


## Technical Specification



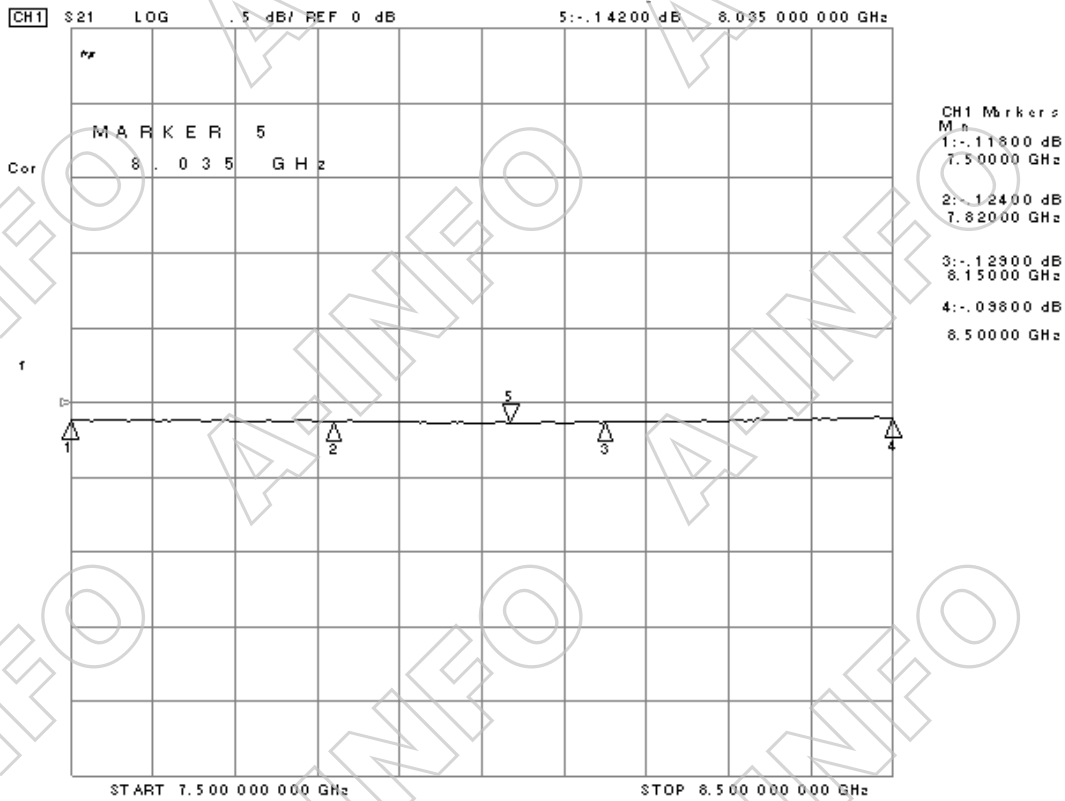
EIA WR	WR112
Frequency Range(GHz)	7.5-8.5
VSWR	1.25 max
Insertion Loss(dB)	0.3 max
Average Power(W)	400
Peak Power(KW)	150
Flange	FBP84
Material	Al
Net Weight(Kg)	0.30 Around

## Outline Drawing (Size: mm)

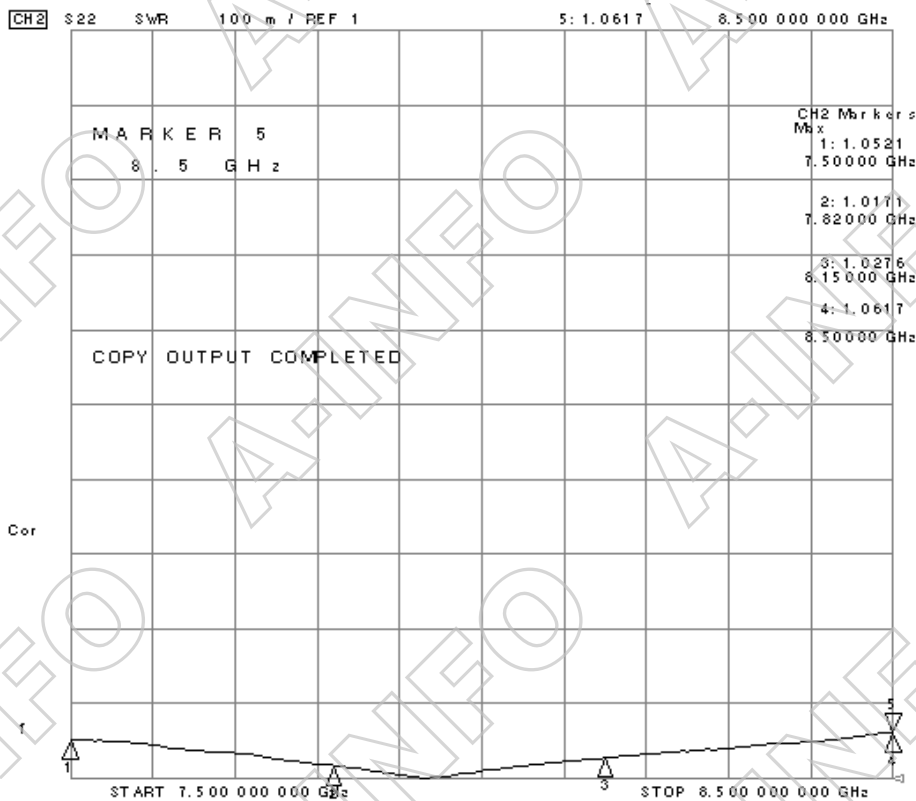


## Test Results

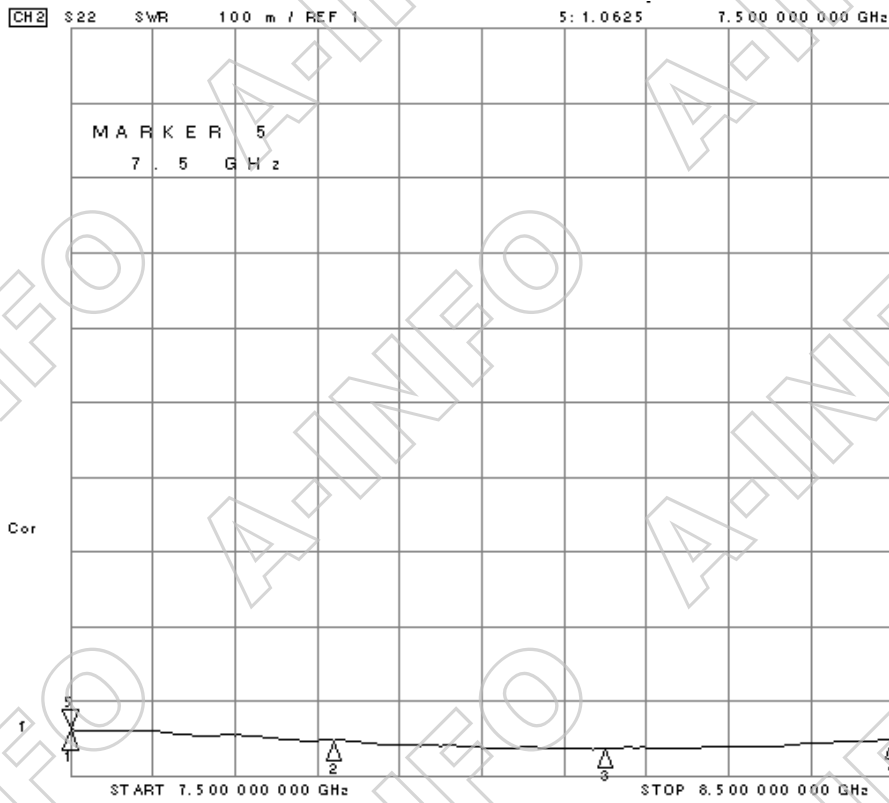
### Insertion Loss



### VSWR 1



VSWR 2



CH2 Markers  
Mk x  
1: 1.0625  
7.50000 GHz  
2: 1.0480  
7.82000 GHz  
3: 1.0374  
8.15000 GHz  
4: 1.0500  
8.50000 GHz